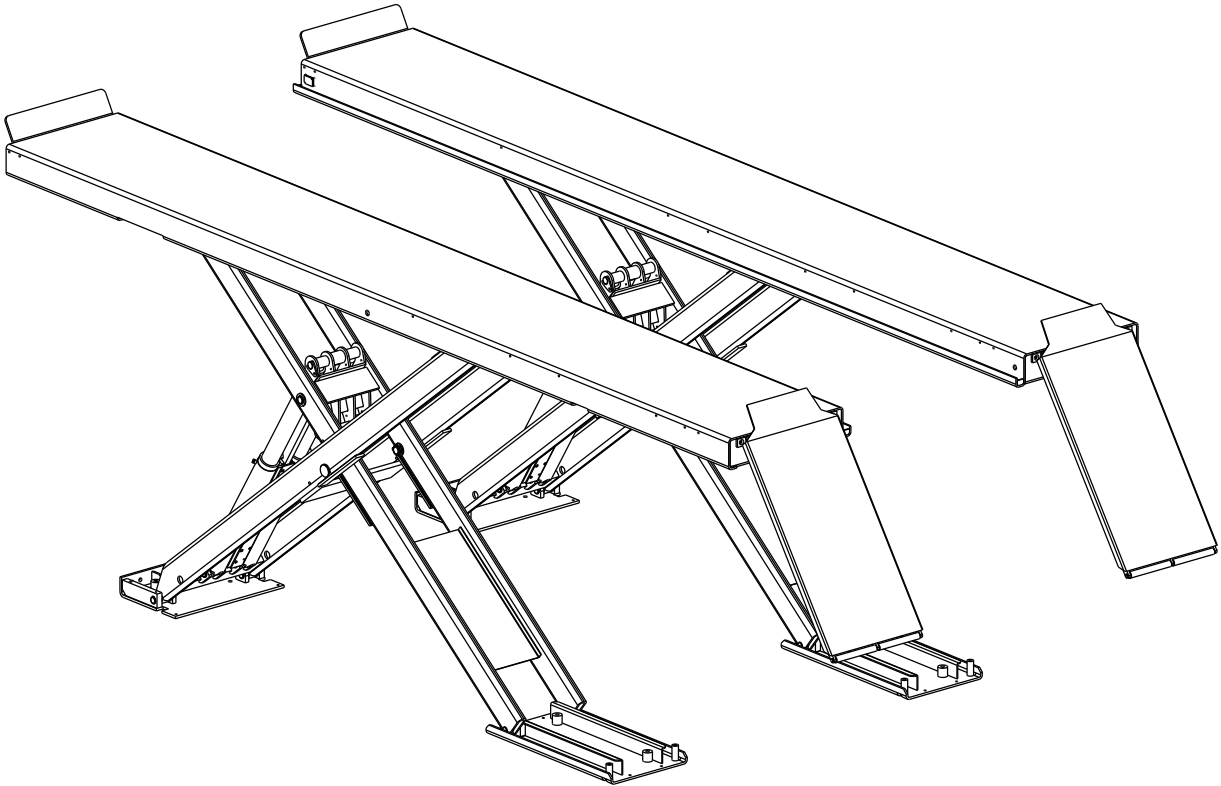
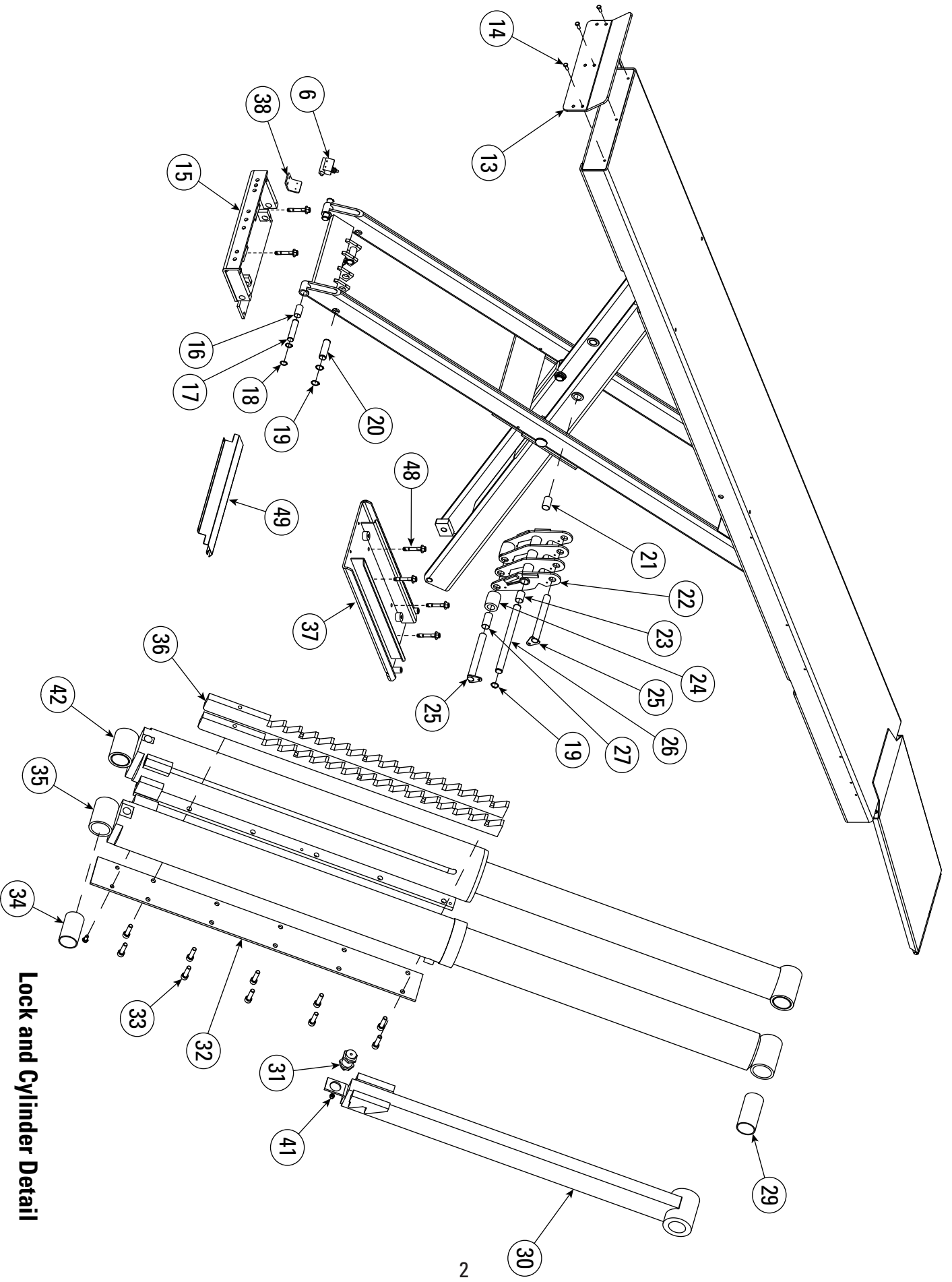


ML11 SERIES SCISSOR LIFTS PARTS BREAKDOWN

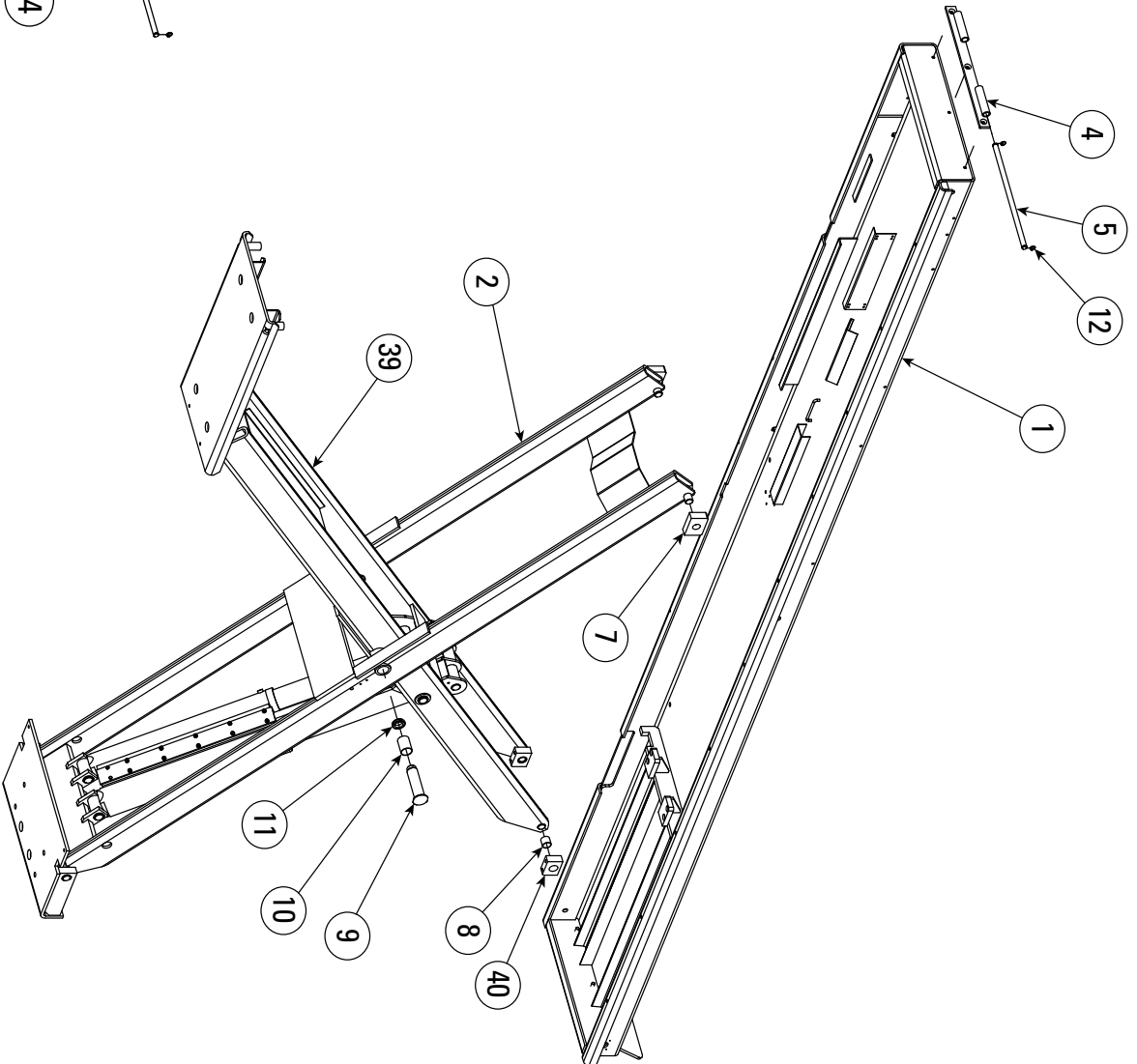


Mechanical Components

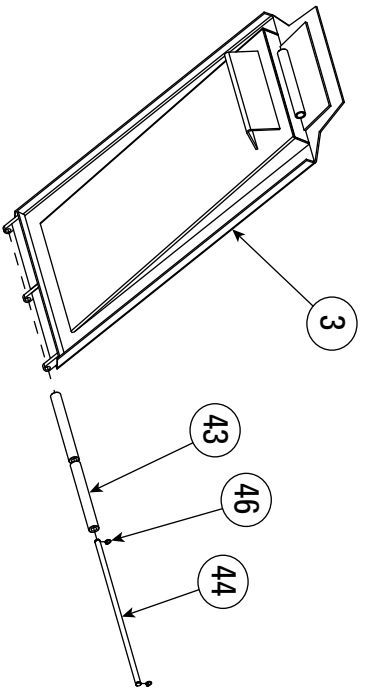


Lock and Cylinder Detail

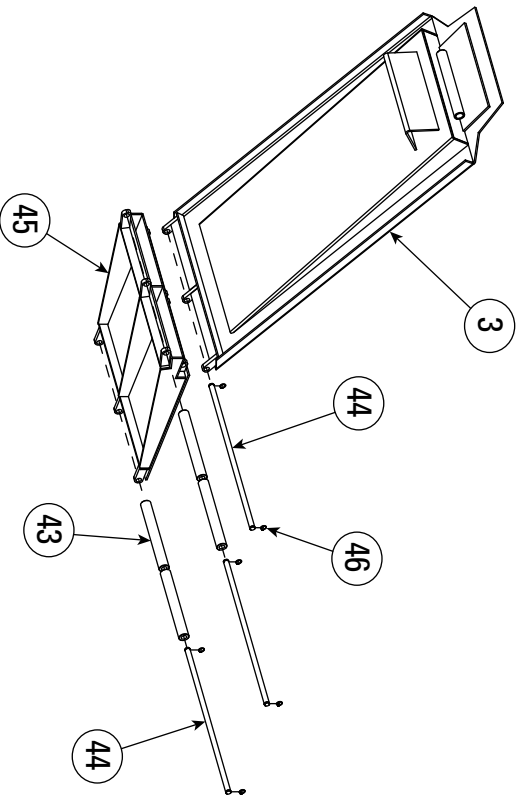
Mechanical Components



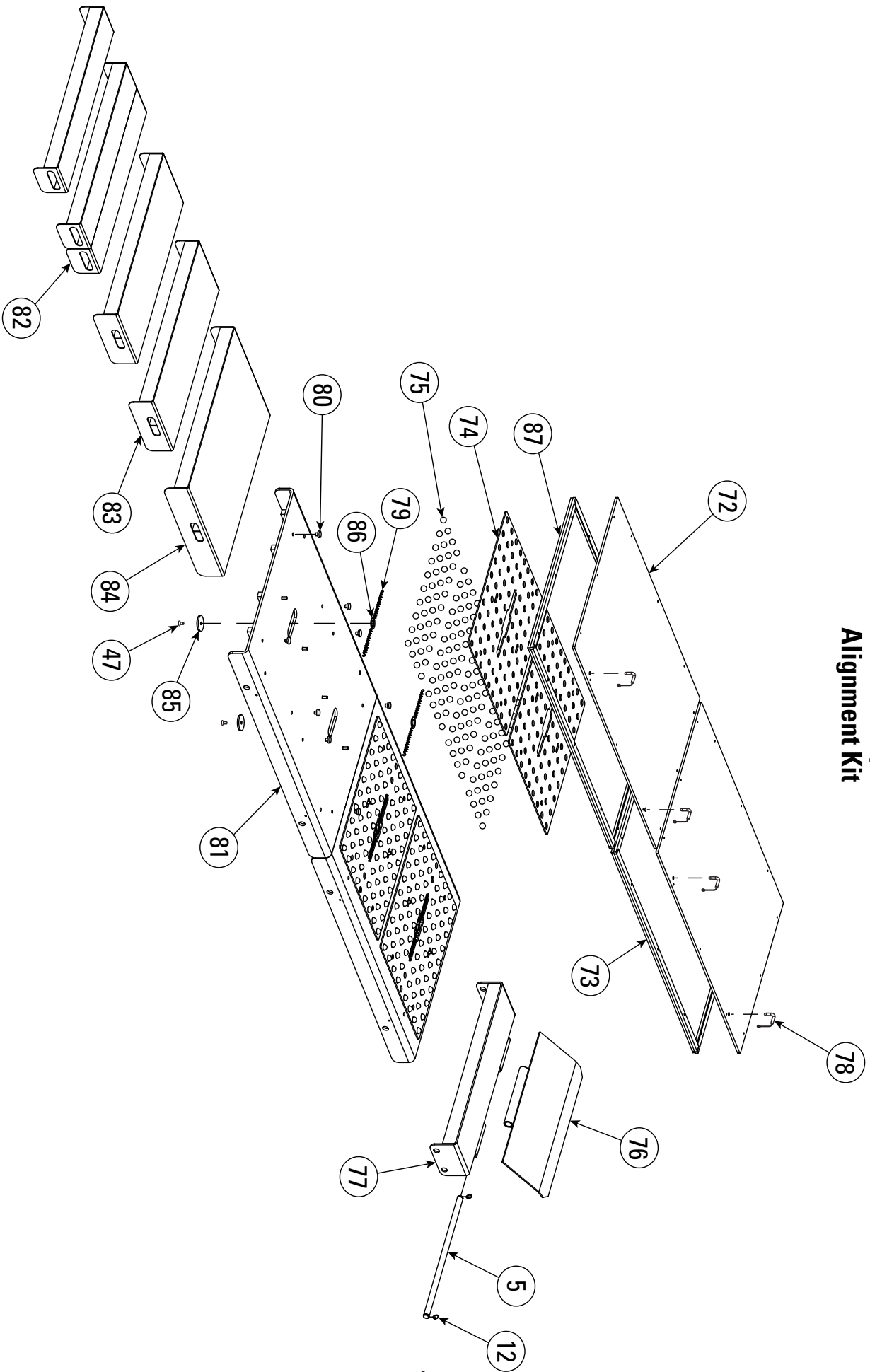
Standard Ramps



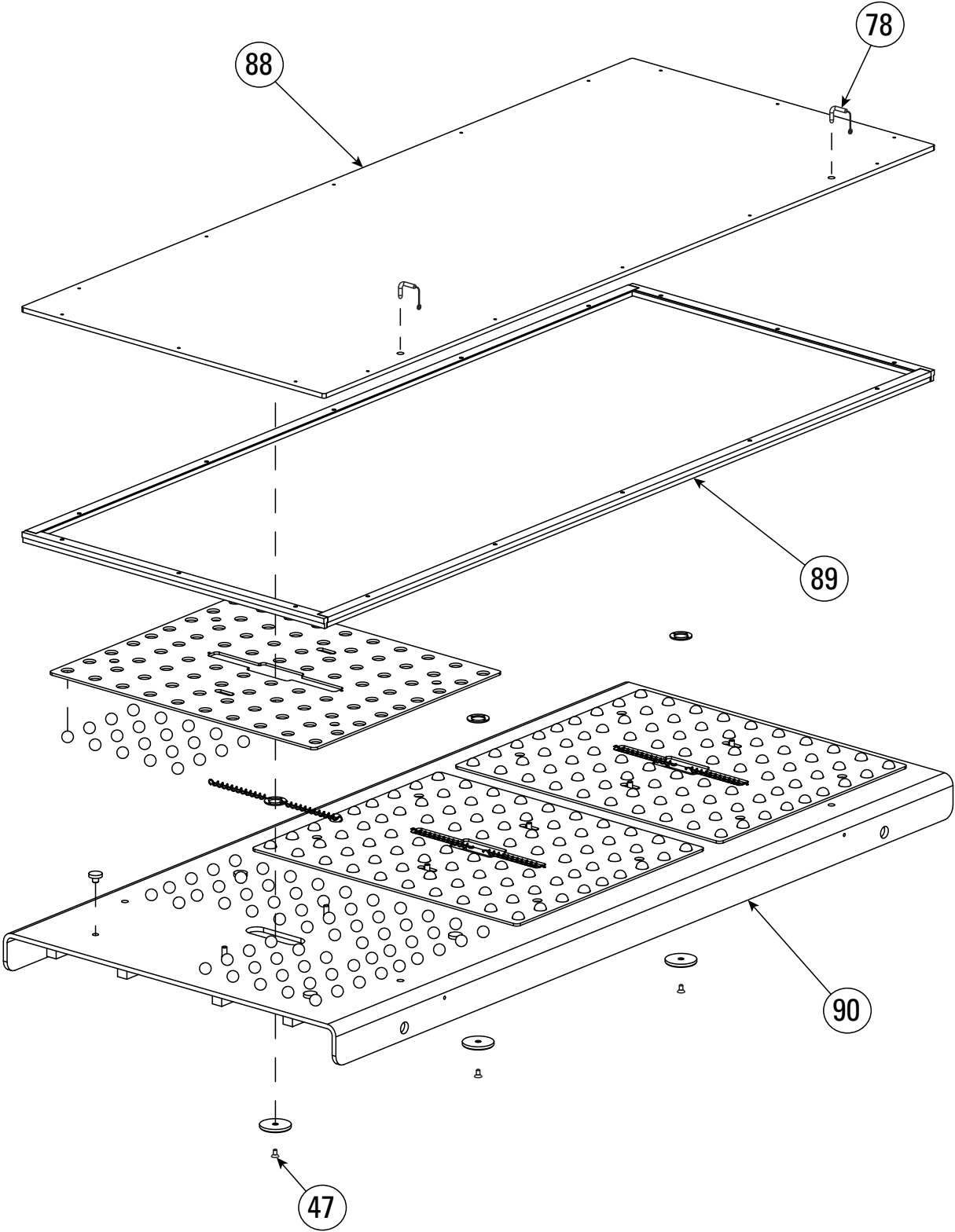
Extended Ramps



Mechanical Components Alignment Kit



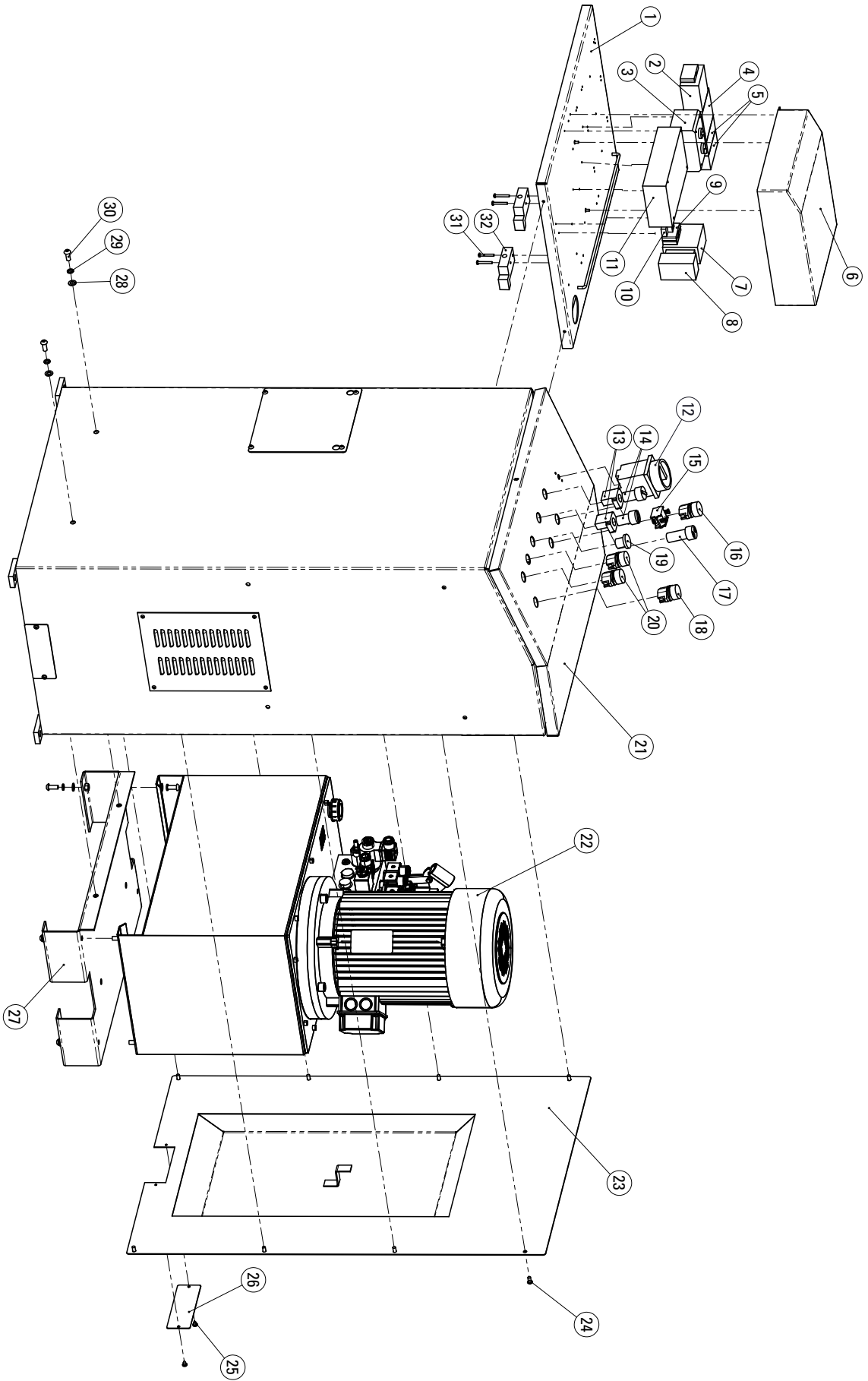
Mechanical Components Alignment Kit



| Item Number | Part Number | Item Description | Qty |
|-------------|----------------|---|-----------|
| 1 | ML50N-52-3100 | Left hand runway weld (ML11-52) | 1 |
| | ML50N-52-3000 | Right hand runway weld (ML11-52) | 1 |
| | ML50N-46-3100 | Left hand runway weld (ML11-46) | 1 |
| | ML50N-46-3000 | Right hand runway weld (ML11-46) | 1 |
| 2 | ML50-1300 | outer leg weld | 2 |
| 3 | SM60-1132 | standard ramp weld | 2 |
| 4 | ML50LT-52-2500 | ramp attachment plate | 2 |
| 5 | PV4-1504 | ramp hinge pin | 2 |
| 6 | AZ-7310 | limit switch | 1 |
| 7 | ML50-1510 | slider block | 8 |
| 8 | ML50LT-52-3021 | upper fixed bearing | 4 |
| 9 | ML50-1508 | scissor center pin | 4 |
| 10 | ML50LT-52-3022 | scissor center pin bearing | 8 |
| 11 | ML50-1905 | scissor center pin nut | 4 |
| 12 | B60-19 | 19mm shaft retaining ring | 2 per pin |
| 13 | ML50-1904 | surface installation wheel stop | 2 |
| 14 | 41684 | M12x1.75x30mm long hex head cap screw | 6 |
| 15 | ML50-1000 | fixed base weld | 2 |
| 16 | ML50LT-52-3020 | lower fixed bearing | 4 |
| 17 | ML50-1509 | lower fixed pin | 4 |
| 18 | B60-30 | 30mm shaft retaining ring | 8 |
| 19 | B60-35 | 35mm shaft retaining ring | 12 |
| 20 | ML50LT-52-2502 | lower cylinder pin | 4 |
| 21 | ML50LT-52-3024 | kicker leg bearing | 4 |
| 22 | ML50-1700 | kicker weld | 2 |
| 23 | ML50LT-52-3023 | kicker center bearing | 4 |
| 24 | ML50-1802 | kicker roller | 4 |
| 25 | ML50-1900 | kicker fixed pin | 4 |
| 26 | ML50-1903 | kicker center pin | 2 |
| 27 | ML50-1801 | kicker roller bearing | 4 |
| 29 | ML50-1801 | upper cylinder bearing | 4 |
| 30 | ML50-1600 | lock bar weld | 2 |
| 31 | CJPB-15X20 | lock release solenoid | 2 |
| 32 | ML50-1513 | cylinder connector plate | 2 |
| 33 | 41624 | M8x1.25x30mm Long socket head cap screw | |
| 34 | ML50-3001 | lower cylinder bearing | 4 |
| 35 | ML50-2300 | slave cylinder | 2 |
| 36 | ML50-1512 | lock bar | 4 |
| 37 | ML50-1200 | slider base | 2 |

| Item Number | Part Number | Item Description | Qty |
|-------------------------|----------------|--|-------------|
| 38 | HBS35-2302 | limit switch bracket | 1 |
| 39 | ML50-1500 | inner leg weld | 2 |
| 40 | ML50-1511 | upper fixed block | 4 |
| 41 | 0550030000VR | lock release solenoid button | 2 |
| 42 | ML50-2200 | master cylinder | 2 |
| 43 | PV4-1601 | ramp roller | 4 |
| 44 | PV4-1602 | roller pin | 2 |
| 45 | SM40LT-51-3500 | extended ramp weld | 2 |
| 46 | B60-15 | 15mm shaft retaining ring | 6 |
| 47 | B26-8x25 | M8x25mm flat head screw | 2 per plate |
| 48 | FC5228 | 5/8" x 4-3/4" anchor Hilti Kwik Bolt III | 12 |
| 49 | ML50LT-52-5004 | Short floor base cover | 2 |
| | ML50LT-52-9000 | Long floor base cover | 1 |
| 59 | 41467 | M8x1.25x10mm long button head cap screw | 10 |
| 72 | SM65-2100G | ML50-52 slip plate | 4 |
| 73 | SM65-2005G | slip plate brush | 8 |
| 74 | SM65-2001G | ball retainer plate | 8/12 |
| 75 | FC5190-7 | ball (84 for each ball retainer plate) | |
| 76 | SM60-1338 | alignment kit ramp | 2 |
| 77 | ML50LT-52-2400 | ramp filler plate | 2 |
| 78 | H4P-7500 | locking pin | 2 per plate |
| 79 | NH4D-1011 | spring (2 for each ball retainer plate) | |
| 80 | SM65-2002 | nylon bearing (4 for each ball retainer plate) | |
| 81 | ML50LT-52-2610 | ML50-52 slip plate weldment | 4 |
| 82 | ML50LT-52-2200 | 120mm wide filler plate | varies |
| 83 | ML50LT-52-2100 | 360mm wide filler plate | varies |
| 84 | ML50LT-52-2000 | 335mm wide filler plate | varies |
| 85 | SM65-2003 | slip plate retainer plate (1 for each ball retainer plate) | |
| 86 | SM60-1522 | spring tension ring | |
| 87 | SM65-2006G | brush (2 for each slip plate) | |
| 88 | ML50LT-46-2615 | ML50-46 slip plate | 2 |
| 89 | ML50LT-46-2614 | brush | 4 |
| 90 | ML50LT-46-2610 | ML50-46 slip plate weldment | 2 |
| Replacement Kit Numbers | | | |
| | RAMP-ML50-1 | single ramp assembly | |
| | EXRMP-SM40-2 | single extended ramp assembly | |
| | ML50-D13 | ball retainer rebuild kit | |
| | HBZJ-ML50-46 | slip plate assembly (4.6) | |
| | HBZJ-ML50-52 | slip plate assembly (5.2) | |

Electrical Components



| Item Number | Part Number | Item Description | Qty |
|-------------|----------------|----------------------------|-----|
| 1 | ML50-7102 | Electrical fixed plate | 1 |
| 2 | ML50-DQ-DZP | Terminal Blocks Kit | 1 |
| 3 | ML50-DQ-DSH | Debug Box Kit | 1 |
| 4 | ML50-PLC-052 | Logo/plc | 1 |
| 5 | ML50-PLC-055 | Logo/plc Expansion module | 2 |
| 6 | ML50-7001 | Cover | 1 |
| 7 | AFZ16-30-01-11 | Contactora of motor | 1 |
| 8 | TF42-20 | Thermal relay | 1 |
| 9 | ML50-FUKIT | Fuse Kit | 1 |
| 10 | FS2C0ECO | Intermediate Relay | 1 |
| | DRM270024L | Intermediate Relay Base | |
| 11 | S-150-24 | Power Supply | 1 |
| 12 | P1-25/EV/SVB/N | AC Power Switch | 1 |
| 13 | ZB4-BZ101 | Selector Switch | 2 |
| 14 | ZB4-BD2 | Selector Switch | 2 |
| 15 | ZB4-BV013 | Power Lamp | 1 |
| 16 | ZB4-BVB1 | Power Lamp | 1 |
| 17 | ML50-DQ-FMQ | Beeper | 1 |
| 18 | CP9-1005 | Button of raise | 1 |
| 19 | ZB2SZ3 | Pluge | 1 |
| 20 | CP9-1020 | Button of lower to lock | 1 |
| 21 | ML50-7000 | Control box assembly | 1 |
| 22 | ST9340LT | PU (with lifting table) | 1 |
| | ST9430LT | PU (without lifting table) | 1 |
| 23 | ML50-7100 | Cover | 1 |
| 24 | B25-6x12 | Bolt (M6×12) | 8 |
| 25 | B19-5x10 | Bolt (M5×10) | 6 |
| 26 | Z15003F | Cover | 3 |
| 27 | ML50-7002 | Base weldment | 1 |
| 28 | B41-8 | Washer (8) | 6 |
| 29 | B40-8 | Spring Washer (8) | 6 |
| 30 | B25-8x20 | Bolt (M8×20) | 6 |
| 31 | B23-4x30 | Bolt (M4×30) | 4 |
| 32 | 3V210-06DC24 | Magnetic Exchange Valve | 2 |



NOTES

Vehicle Service GroupSM
2700 Lanier Drive
Madison, IN 47250, USA
1-800-640-5438
www.vsgdover.com



© **Vehicle Service GroupSM**
All Rights Reserved. Unless otherwise
indicated, **Vehicle Service GroupSM**,
and all other trademarks are property
of Dover Corporation and its affiliates.