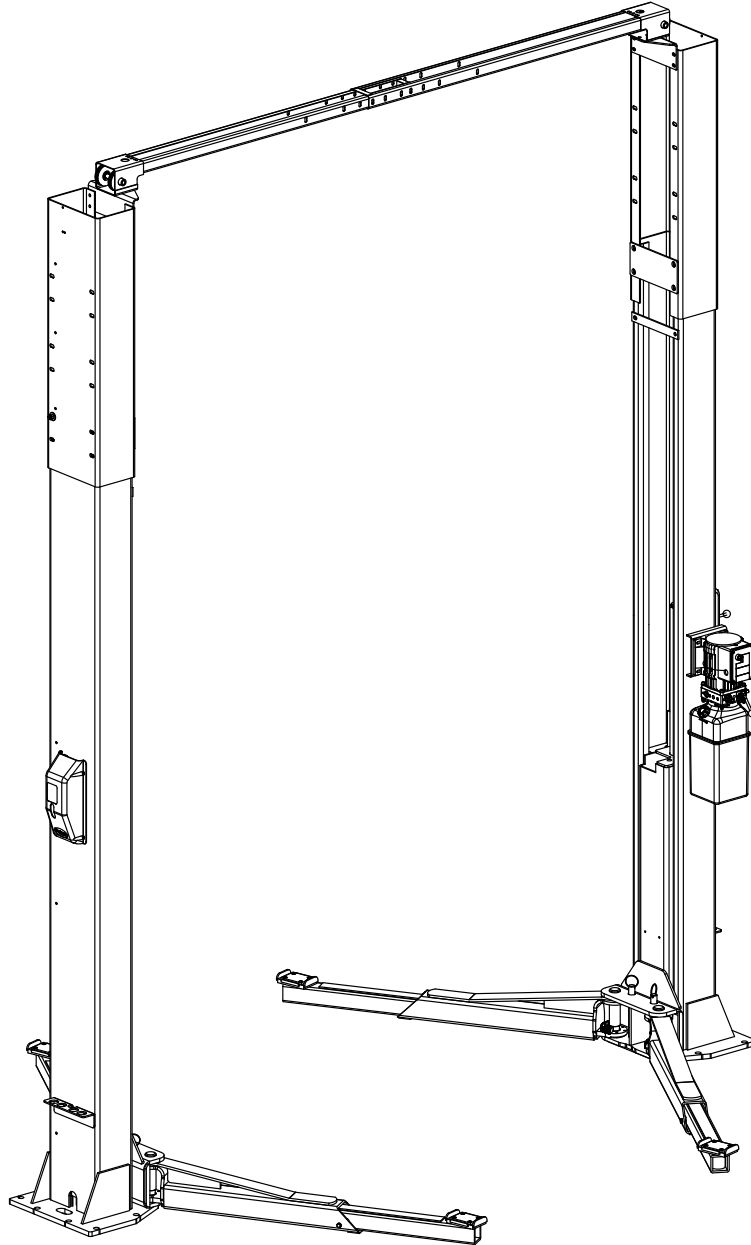


Parts Breakdown

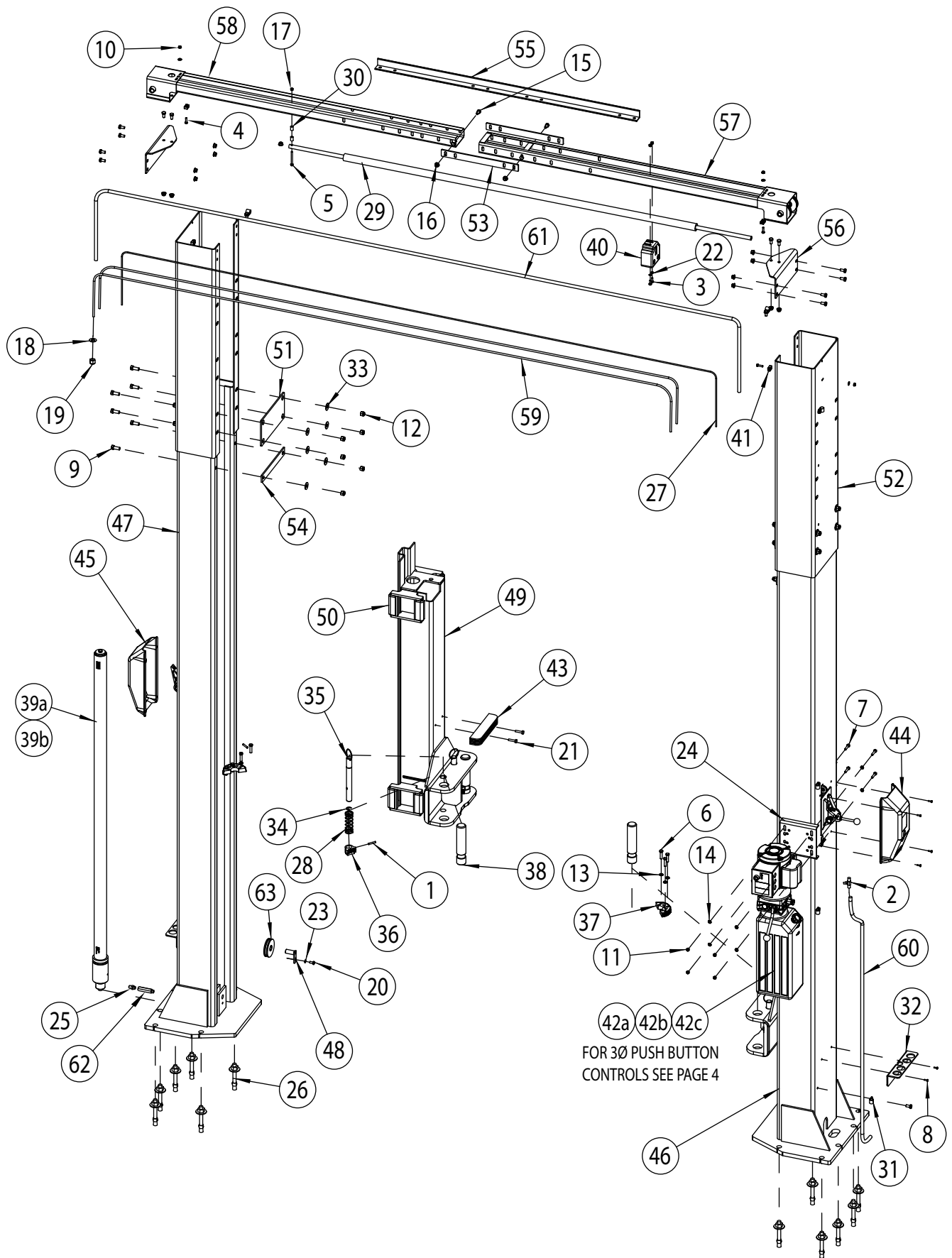
2-Post Capacity 12,000 lbs.



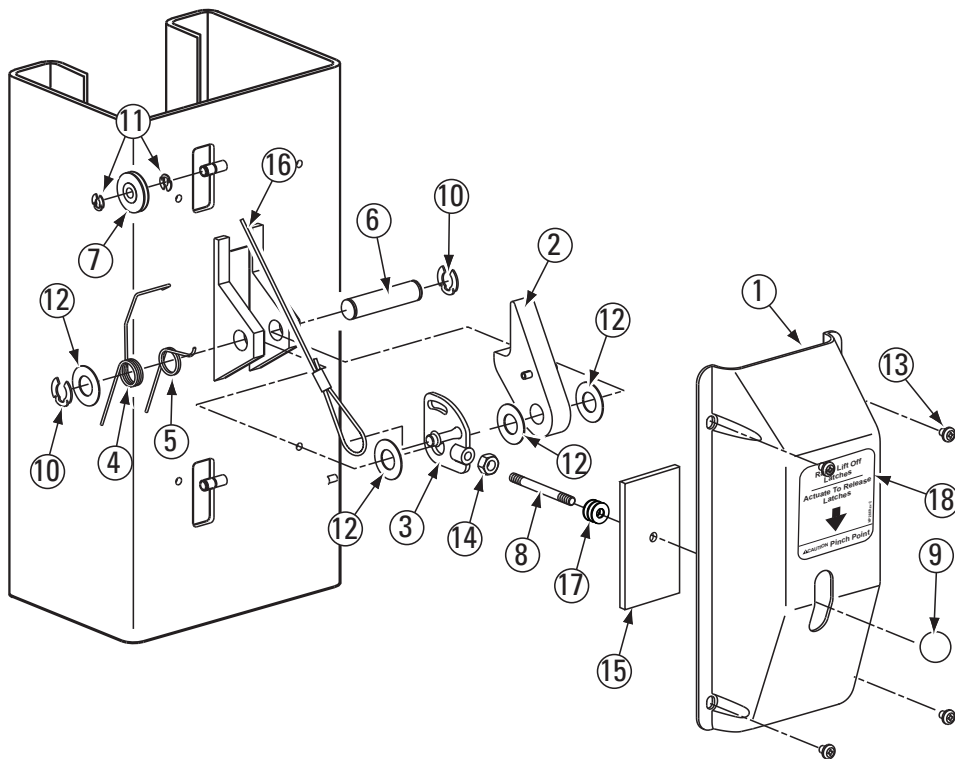
LP60036

ITEM	QTY	PART NO.	DESCRIPTION
1	4	14427	1/4" DIA. x 1-1/2" Lg. SPRING PIN, STAINLESS
2	1	30400-9051YZ	BRANCH TEE
3	2	40099	1/4"-20NC x 3/4" Lg HHCS, GRD5
4	4	40108	1/4"-20NC x 1" Lg HHCS, GRD5 PLTD
5	1	40114	1/4"-20NC x 2-3/4" Lg. HEX FLGD WZLOCK CS, PLTD
6	12	40200	3/8"-16NC x 1-1/2" Lg HHCS, GRD5
7	4	40271	5/16"-18NC x 1-1/2" Lg HHCS FULLTHD, GRD5 PLTD
8	12	40277	5/16"-18NC x 3/8"Lg. PHMS
9	20	40286	1/2"-13NC x 1-1/4" Lg HHCS, GRD5 PLTD
10	4	40641	1/4"-20NC HEX FLGD WZLOCK NUT, PLTD
11	4	40670	5/16"-18NC HEX NUT, PLTD
12	20	40707	1/2"-13NC HEX NYLON INSERT LOCKNUT
13	12	40818	3/8" HELICAL SPRING LW, PLTD
14	8	40854	5/16" EXT TOOTH LW, PLTD
15	30	41536	M10x1.5x20mm Lg. HHCS
16	21	41655	M10x1.5 HEX FLGD WZLOCK NUT, PLTD
17	3	911403	1/4"-20 NYLON INSERT HEX NUT, PLATED
18	1	913206	5/8" SAE WASHER
19	1	913303	5/8"-11 HEX NYLON INSERT LOCK NUT
20	2	B10-M8X16	BOLT M8x16mm
21	4	B20-35	M8 X 35
22	2	B41-6	Flat Washer Ø6
23	2	B41-8	Flat Washer Ø8
24	1	DP9-1103	POWER UNIT BRACKET, (PART OF COLUMN WELDMENT)
25	2	FJ7352-3	ADAPTER
26	12	FJ7380	3/4" X 5-1/2" ANCHOR BOLT
27	4	FJ7600	LATCH CABLE ASSEMBLY
28	1	FJ7656-2Y	ARM RESTRANT SPRING
29	1	G3T-4002	SWITCH BAR ASSEMBLY
30	2	G3T-4003	SPACER
31	10	G3T-8005	PLASTIC COLUMN HOSE CLIP
32	2	GF-1004	TOOL HOLDER
33	21	H4D-2000-10	WASHER
34	4	N119-3	RETAINING RING
35	4	N121-1Y	ACTUATOR PIN
36	4	N2121	ARM RESTR. PAWL
37	4	N2122	ARM RESTR. GEAR
38	4	N2154	ARM PIN
39a	2	N380Y	CYLINDER ASSEMBLY Metric
39b	2	N382Y	CYLINDER ASSEMBLY Metric

ITEM	QTY	PART NO.	DESCRIPTION
40a	1	N413	1 PHASE OVER HEAD SWITCH ASSEMBLY
40b	1	N412	3 PHASE OVER HEAD SWITCH ASSEMBLY
41	4	N619	CABLE END BRACKET
42a	1	P3616	POWER UNIT 208-230v 2.1cc/rev. 210-220 BAR (F12/R12)
42b	1	P3291	POWER UNIT,1Ø,MANUAL LOWERING (I12/RTP12)
42c	1	P3526	POWER UNIT,3Ø,208-230/460 50/60Hz
43	2	PV-3005	CARRIAGE BUMPER
44	1	TP6-5003	CONTROL SIDE COVER
45	1	TP6-5004	SLAVE SIDE COVER
46	1	VT12-0100	MAIN SIDE COLUMN ASSEMBLY
47	1	VT12-0200	SLAVE SIDE COLUMN ASSEMBLY
48	1	VT12-1010	CABLE SHAFT
49	2	VT12-2000	CARRIAGE WELDMENT I12
50	16	VT12-2008	SLIDER BLOCK I12
51	2	VT12-3001	COLUMN REINFORCEMENT PLATE I12
52	2	VT12-3002	EXTENSION COLUMN I12
53	2	VT12-3003	OVERHEAD CONNECT PLATE I12
54	2	VT12-3004	TIE BAR
55	1	VT12-3005	OVERHEAD STIFFENER I12
56	2	VT12-3006	OVERHEAD-COLUMN MOUNTING BRACKET I12
57	1	VT12-5000	L.H. OVERHEAD ASSEMBLY
58	1	VT12-5100	R.H. OVERHEAD ASSEMBLY
59	2	VT12-6001	112 STD 166 EQ. CABLE
60	1	VT12-9801-1	P/U HOSE, MAIN SIDE
61	1	VT12-9801-3	HOSE STD LIFT HEIGHT VT12
62	2	VT12-9802-1	FLOW CONTROL VALVE
63	2	VT12-1012ZP	SHEAVE ASSEMBLY



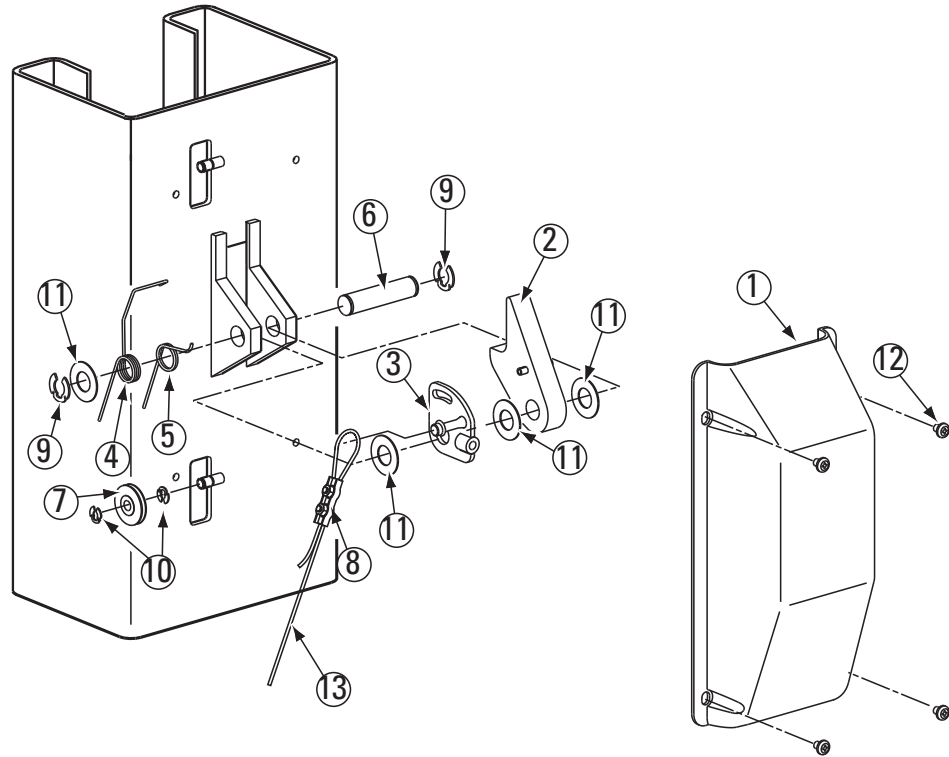
Locking Latch Detail (Right Column)



ITEM	PART#	DESCRIPTION
1	TP6-5003	Control Side Cover
2	TP10-1010	Locking Latch Dog
3	FJ7594-2	Control Plate
* 4	FJ7566-10	Spring
* 5	FJ7382-9	Spring
* 6	VT12-1001	Latch Shaft
7	FJ7322	Locking Latch Sheave
8	FJ7382-18	Handle
* 9	FC134-91	Ball Handle
10	41411	Truarc Klipring #5304-75 for 3/4" Shaft
* 11	41410	Truarc Klipring #5304-37 for 3/8" Shaft
12	41388	1-1/2" O.D. x 3/4" I.D. x .045" Mach. Bush.
13	40227	5/16"-18NC x 3/8" Lg. PHMS
14	40658	3/8" - 16NC Hex Jam Nut
15	N617	Slot Cover
16	FJ7600	Locking Latch Cable
17	40820	3/8" Flat Washer
18	NP266	Latch Release Decal

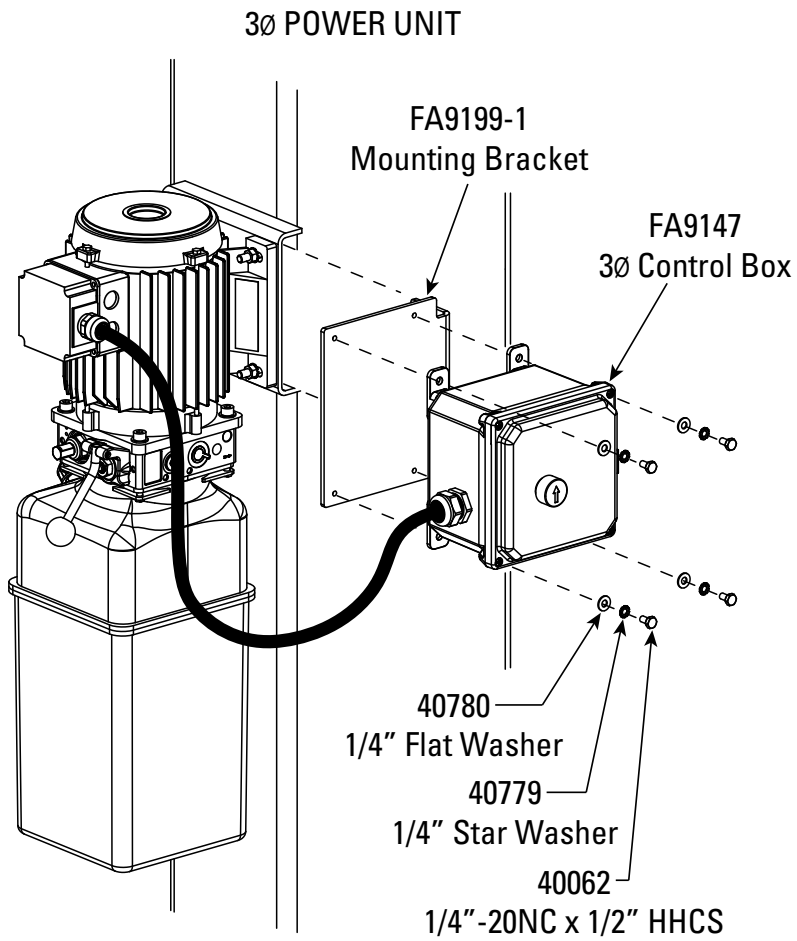
* Latch Spring Kit - FJ7382-3 (available in kit only)

Locking Latch Detail (Left Column)



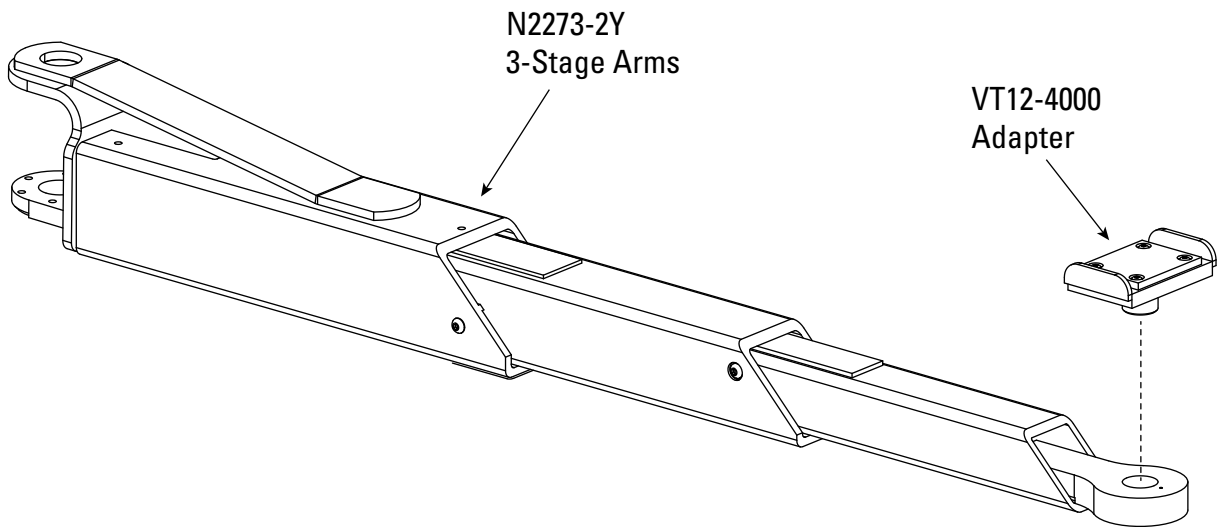
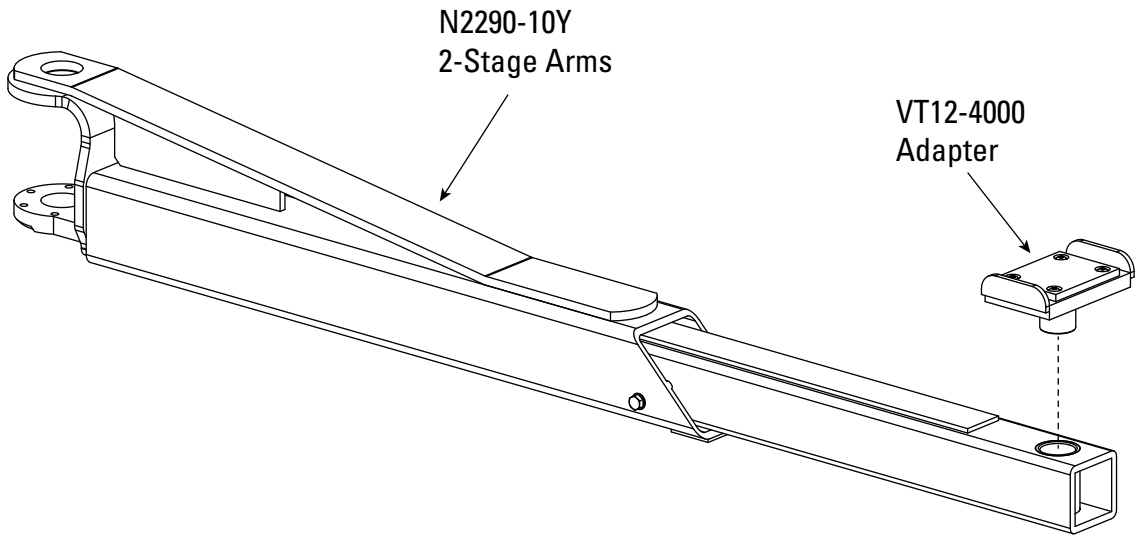
ITEM	PART#	DESCRIPTION
1	TP6-5004	Latch Cover
2	TP10-1010	Locking Latch Dog
3	FJ7594-2	Control Plate
* 4	FJ7566-10	Spring
* 5	FJ7382-9	Spring
* 6	VT12-1001	Latch Shaft
7	FJ7322	Locking Latch Sheave
8	N63-1	Latch Cable Clamp
* 9	41411	Truarc Klipring #5304-75 for 3/4" Shaft
10	41410	Truarc Klipring #5304-37 for 3/8" Shaft
* 11	41388	1-1/2" O.D. x 3/4" I.D. x .045" Mach. Bush.
12	40227	5/16"-18NC x 3/8" Lg. PHMS
13	FJ7600	Locking Latch Cable

* Latch Spring Kit - FJ7382-2 (available in kit only)

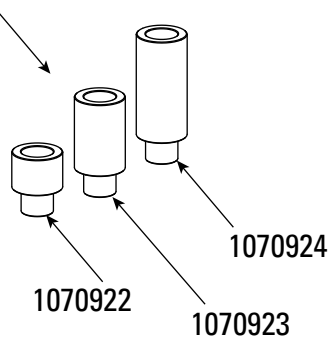


*FA9147 POWER UNIT KIT

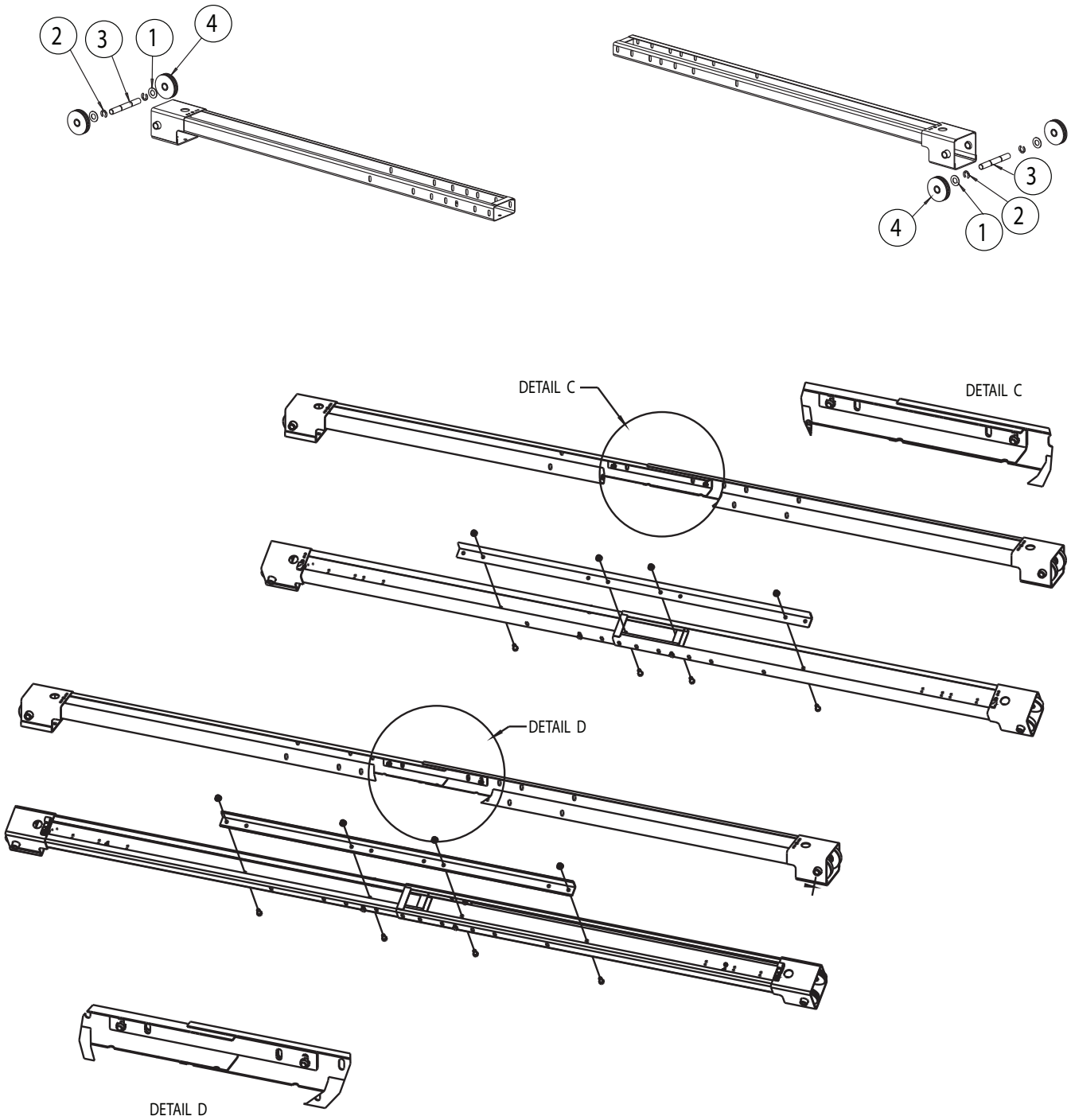
*FA9199 MOUNTING BRACKET KIT



Adapter Extensions



ITEM	QTY	PART NO.	DESCRIPTION
1	2	41388	.765" ID X 1.5" X .045" THK BUSHING
2	2	41411	TRUARC #5304-75
3	1	G3T-4001	SHEAVE SHAFT
4	1	VT12-1012ZP	SHEAVE ASSEMBLY



NOTES

NOTES

Vehicle Service GroupSM

2700 Lanier Drive
Madison, IN 47250, USA
1-800-640-5438
www.vsgdover.com



© Vehicle Service GroupSM

All Rights Reserved. Unless otherwise indicated, **Vehicle Service GroupSM**, and all other trademarks are property of Dover Corporation and its affiliates.