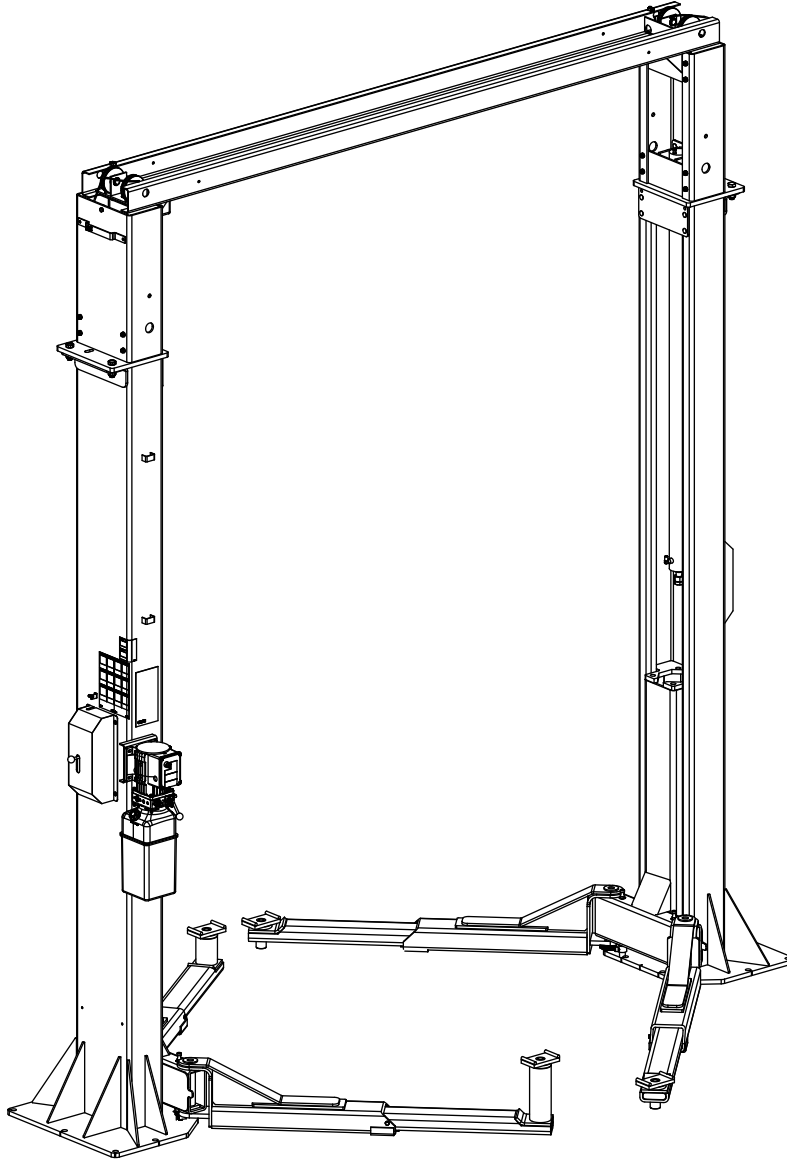


PARTS BREAKDOWN

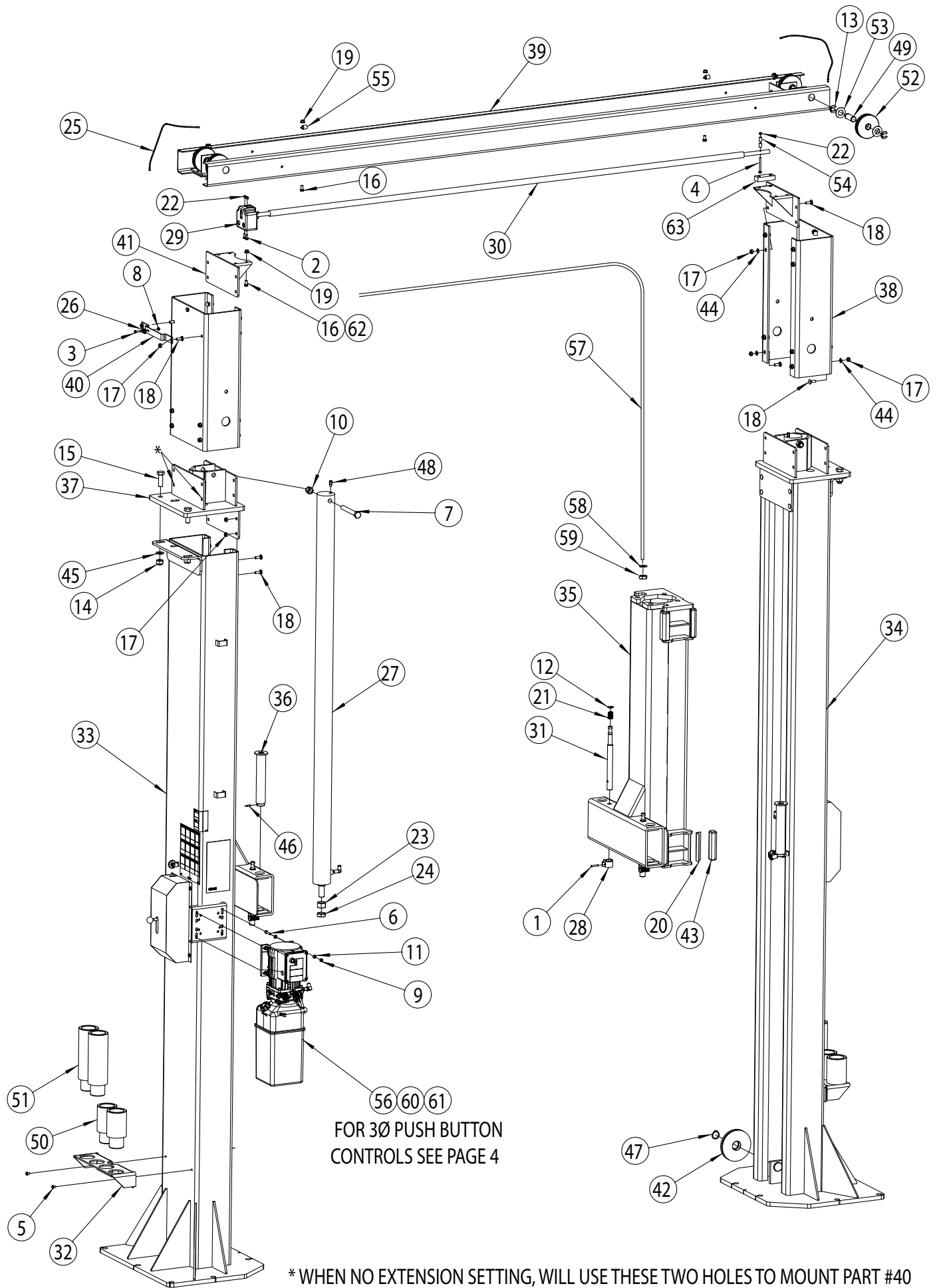
Capacity 15,000 lbs.

Capacity 18,000 lbs.

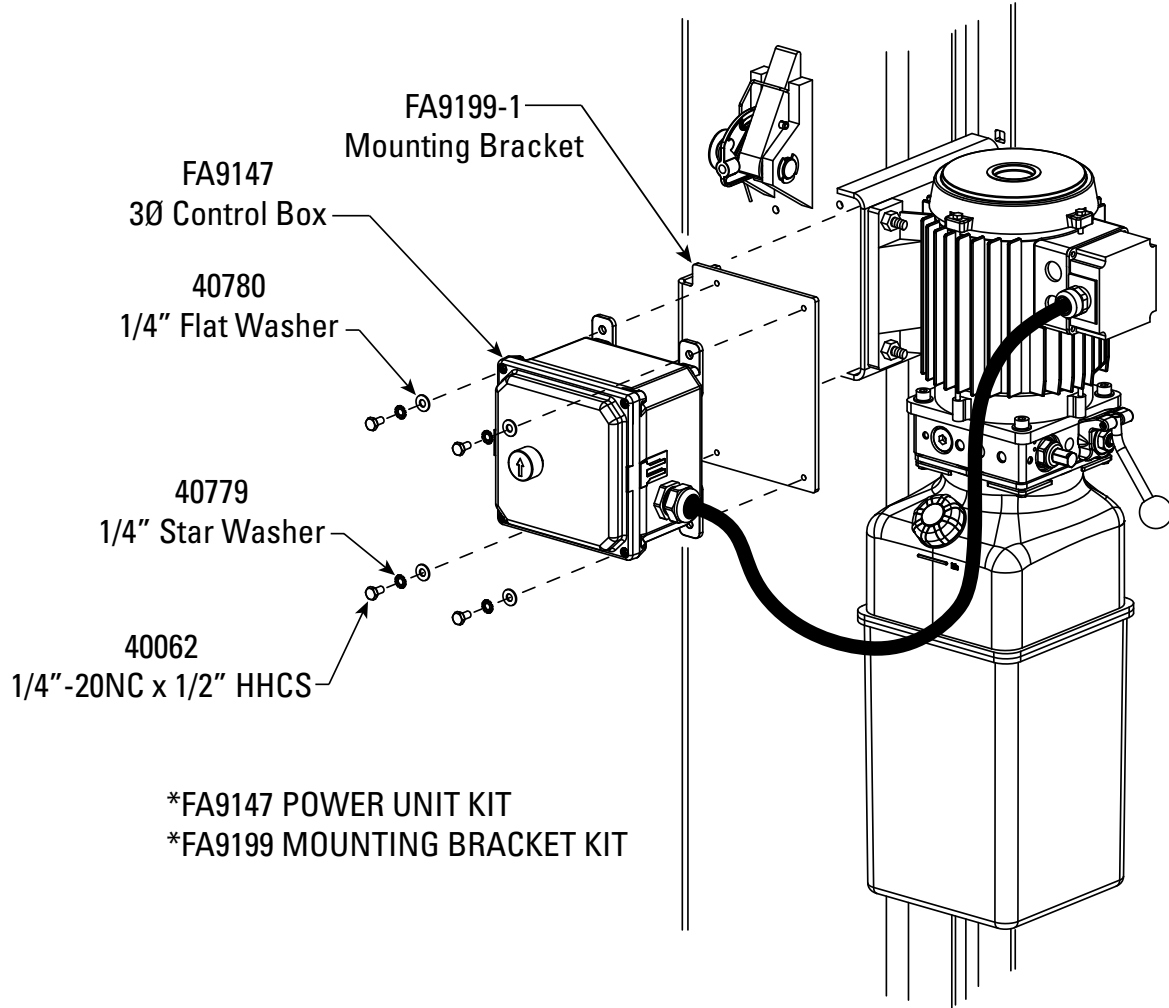


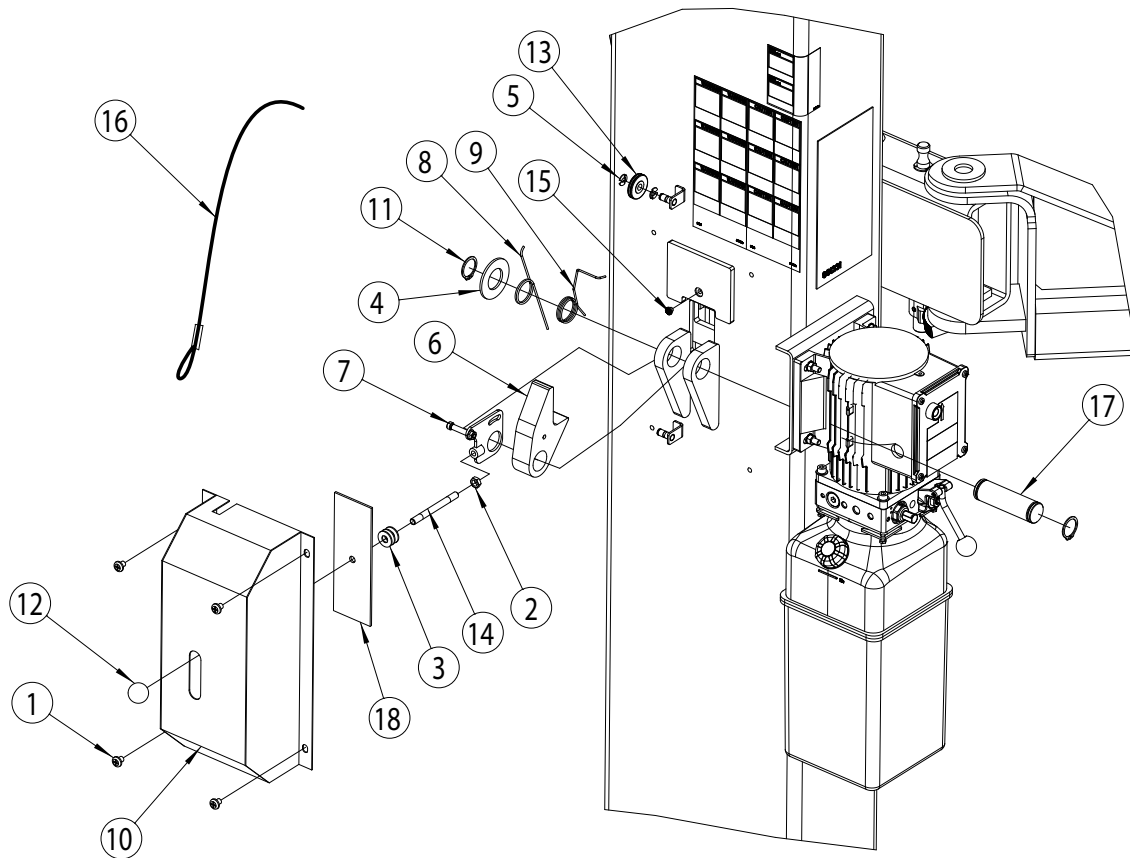
ITEM	PART #	DESCRIPTION
1	14427	1/4" DIA. x 1-1/2" Lg. SPRING PIN, STAINLESS
2	40099	1/4"-20NC x 3/4" Lg HHCS, GRD5
3	40108	1/4"-20NC x 1" Lg HHCS, GRD5 PLTD
4	40114	1/4"-20NC x 2-3/4" Lg. HEX FLGD WZLOCK CS, PLTD
5	40230	5/16"-18NC x 1/2" Lg. PHILLIPS PHMS
6	40271	5/16"-18NC x 1-1/2" Lg HHCS FULLTHD, GRD2 PLTD
7	40493	3/4"-10NC x 6" Lg HHCS, GRD8
8	40641	1/4"-20NC HEX FLGD WZLOCK NUT, PLTD
9	40670	5/16"-18NC HEX NUT, PLTD
10	40790	3/4"-10NC HEX NYLON INSERT LOCKNUT
11	40854	5/16" EXT TOOTH LW, PLTD
12	41411	TRUARC #5304-75
13	41412	TRUARK KLIPRING #5304-100
14	41468	M20x2.5 HEX NYLON INSERT LOCKNUT, PLTD
15	41485	M20x2.5 x 60mm HHCS FULL THREAD GRD. 8.8, PLTD
16	41536	M10x1.5x20mm Lg. HHCS
17	41568	M12x1.75 HEX NYLON INSERT LOCKNUT, PLTD.
18	41668	M12x1.75 x 35mm LG. CARRIAGE BOLT, GRD 8.8, PLTD
19	41655	M10x1.5 HEX FLGD WZLOCK NUT, PLTD
20	137515	ADJUST SHIM
21	143537	WAVE SPRING
22	911403	1/4-20 NYLON INSERT HEX NUT, PLATED
23	914402	1"-12 HEX NUT GRD 8 PLT
24	914411	1"-14NF HEX JAM NUT, PLTD, GRD 8
25	N618	CABLE GUIDE
26	N619	CABLE END BRACKET
27	992322	PULL CYLINDER, 3" BORE 68" STROKE
28	N2121	ARM RESTR. PAWL
29		OVERHEAD SWITCH ASSEMBLY
	N413	1 PHASE OVERHEAD SWITCH ASSEMBLY
	N412	3 PHASE OVERHEAD SWITCH ASSEMBLY
30	N435	SWITCH BAR ASSEMBLY
31	137536Y	ACTUATOR PIN
32	1580900Y	ADAPTER RACK
33	1880102Y	MAINSIDE LEG WELD
34	1880103Y	OFFSIDE LEG WELD
35	1880501Y	DP18 CARRIAGE WELDMENT
36	1880605Y	SWING ARM PIN ASSY.
37	1880800Y	CYLINDER/OVERHEAD MOUNT WELD
38		EXTENSION FORMING
	1880805Y	STD. EXTENSION FORMING, STANDARD HEIGHT
	N/A	DP15/18, LOWER HEIGHT, NO EXTENSION
	1880812Y	EH. EXTENSION FORMING, EXTENSION HEIGHT
39	1880807Y	OVERHEAD WELDMENT
40	1880811Y	CONNECT PLATE
41	1880813Y	OVERHEAD BRACKET WELDMENT
42	995030Y	SHEAVE ASSEMBLY
43	996390Y	RUB BLOCK

44	B41-12	Ø12 FLAT WASHER
45	B41-20	FLAT WASHER Ø20
46	B51-6X20	SPRING PIN
47	B60-35	SHAFT RING, 35mm
48	FEPC6-03	STRAIGHT FITTING, AIR LINE
49	FJ7813-3Y	LOWER SHEAVE SHAFT
50	FJ7822-4Y	5" ALUMINUM EXTENSION
51	FJ7822-5Y	10" ALUMINUM EXTENSION
52	FJ7823-3Y	SHEAVE ASSEMBLY
53	FJ7823-4Y	WASHER
54	G3T-4003	SPACER
55	G3T-8005	PLASTIC COLUMN HOSE CLIP
56		POWER UNIT, MANUAL LOWERING
	P3673	POWER UNIT, 1Ø, MANUAL LOWERING
	P3674	POWER UNIT, 3Ø, MANUAL LOWERING
	P3675	POWER UNIT, 3Ø, 600V, MANUAL LOWERING
	P3416	POWER UNIT, 3Ø, MANUAL LOWERING
	P3418	POWER UNIT, 3Ø, 600V, MANUAL LOWERING
	P3676	POWER UNIT, 1Ø, MANUAL LOWERING
57		EQUALIZER CABLE
	1880900Y	EQUALIZER CABLE STD HEIGHT
	1880901Y	EQUALIZER CABLE EXTENSION HEIGHT
	1880904Y	EQUALIZER CABLE LOWER HEIGHT, NO EXTENSION
58	913606	FLAT WASHER 3/4" (Ø20)
59	913604	NYLON LOCK NUT 3/4" -16
60	FA9147	3Ø SWITCH BOX
61	FA9199	3Ø CONTROL BOX MOUNTING BRACKET KIT
62	B10-10X40	B10 HHCS
63	1880814Y	SPACER

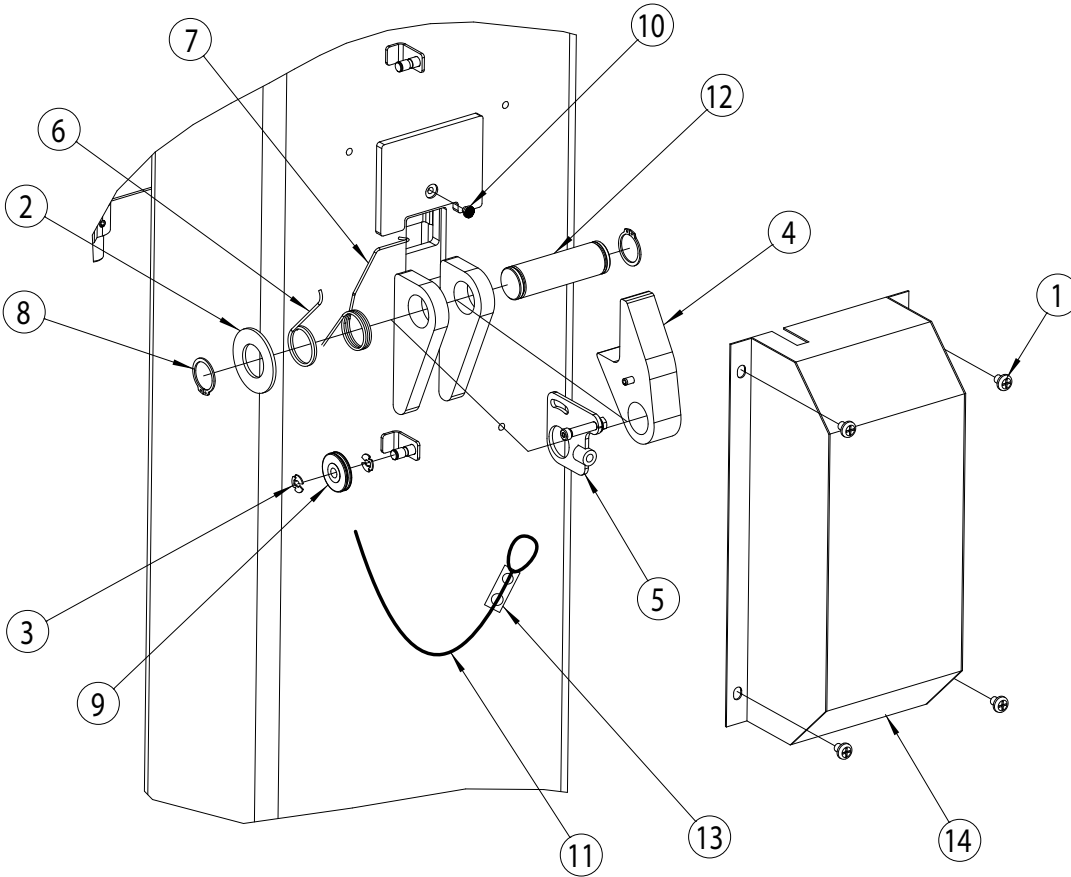


3Ø POWER UNIT

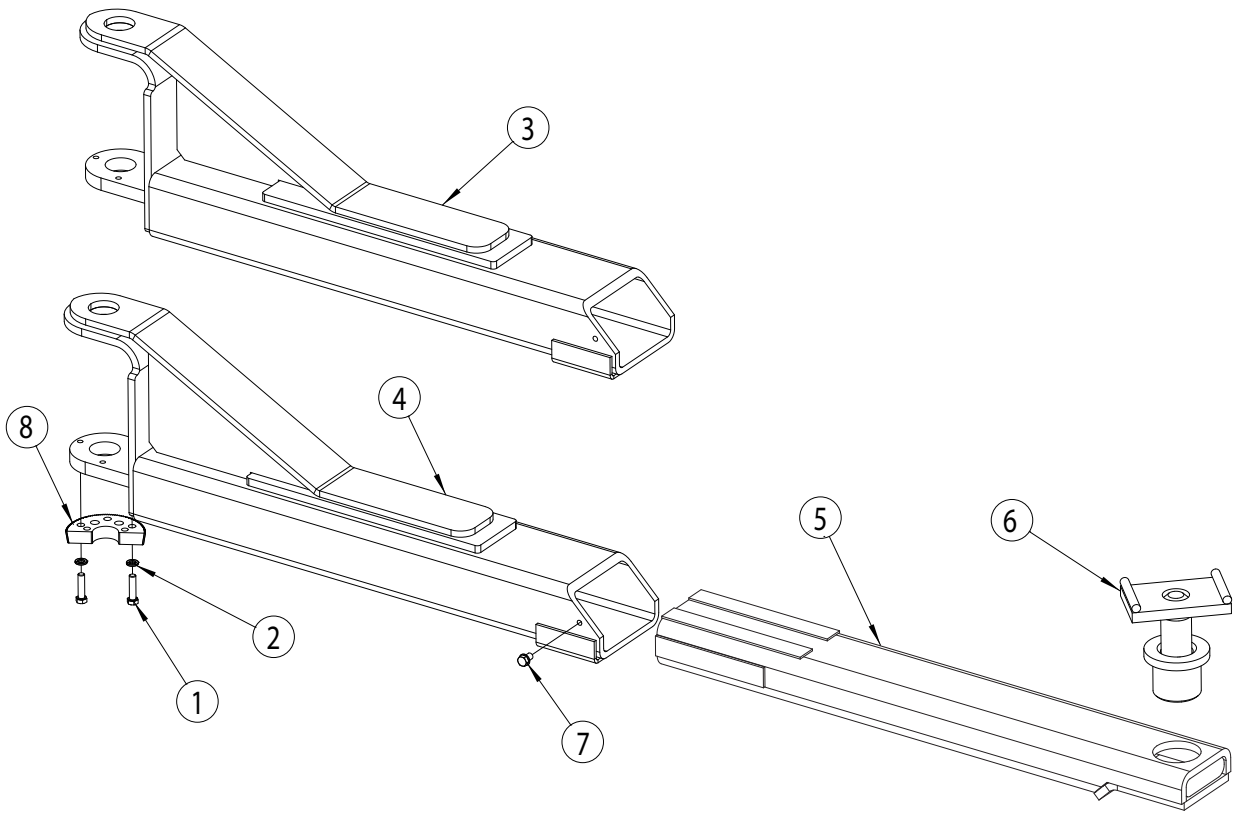




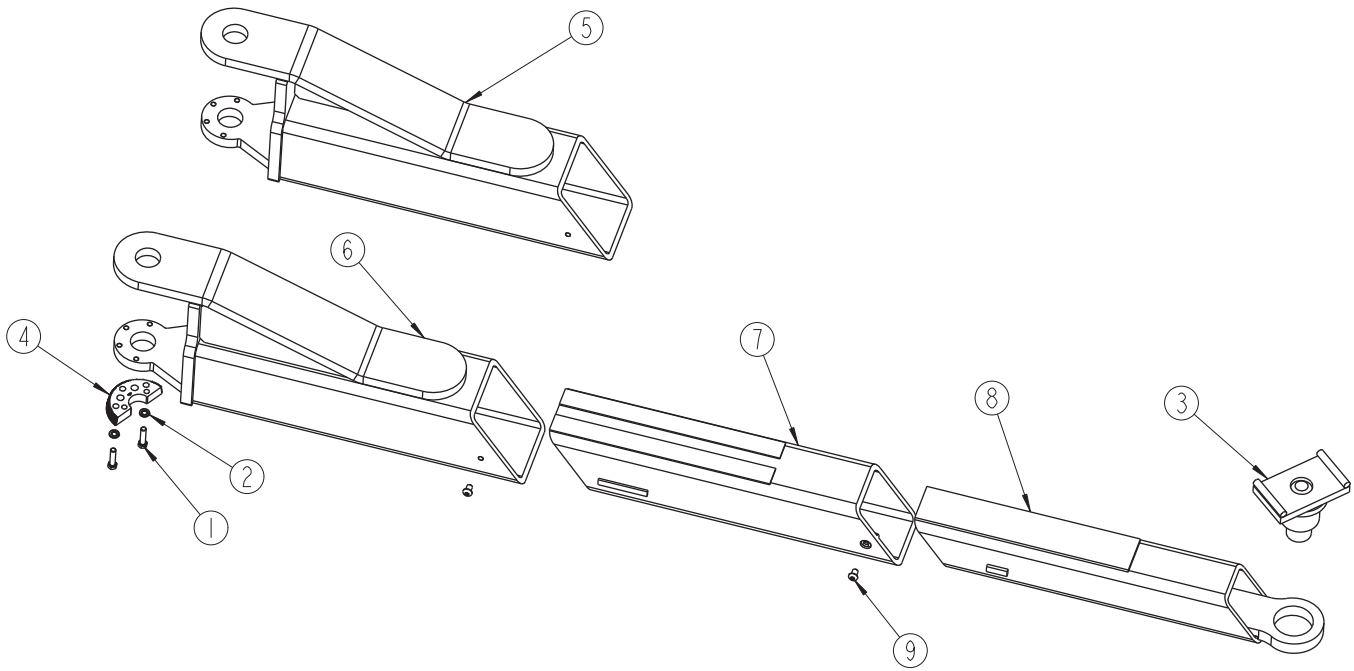
ITEM	PART #	DESCRIPTION
1	40227	5/16"-18NC x 3/8" Lg. PHIL PHMS, PLTD
2	40658	3/8"-16NC HEX JAM NUT, PLTD
3	40820	3/8" USS FLAT WASHER, PLTD
4	41101	1-1/4" SAE FLAT WASHER
5	41410	Ø3/8 SHAFT RET RING TRUARC #5304-37
6	1880107Y	LOCKING LATCH ASS'Y
7	1880108Y	LOCKING LATCH PLATE ASSEMBLY
8	1880111Y	CONTROL PLATE SPRING
9	1880112Y	LOCK SPRING
10	1880117Y	MAINSIDE COVER
11	B60-30	SHAFT RING, 30mm
12	FC134-91	BALL HANDLE
13	FJ7322	LOCKING LATCH SHEAVE
14	1880119Y	HANDLE
15	FJ7382-32	RUBBER BUMPER
16	FJ7600	LATCH CABLE ASSEMBLY, STD.
	SPL50-1004	LATCH CABLE ASSEMBLY, EXT.
17	FJ7813-7Y	LATCH SHAFT
18	N617	SLOT COVER



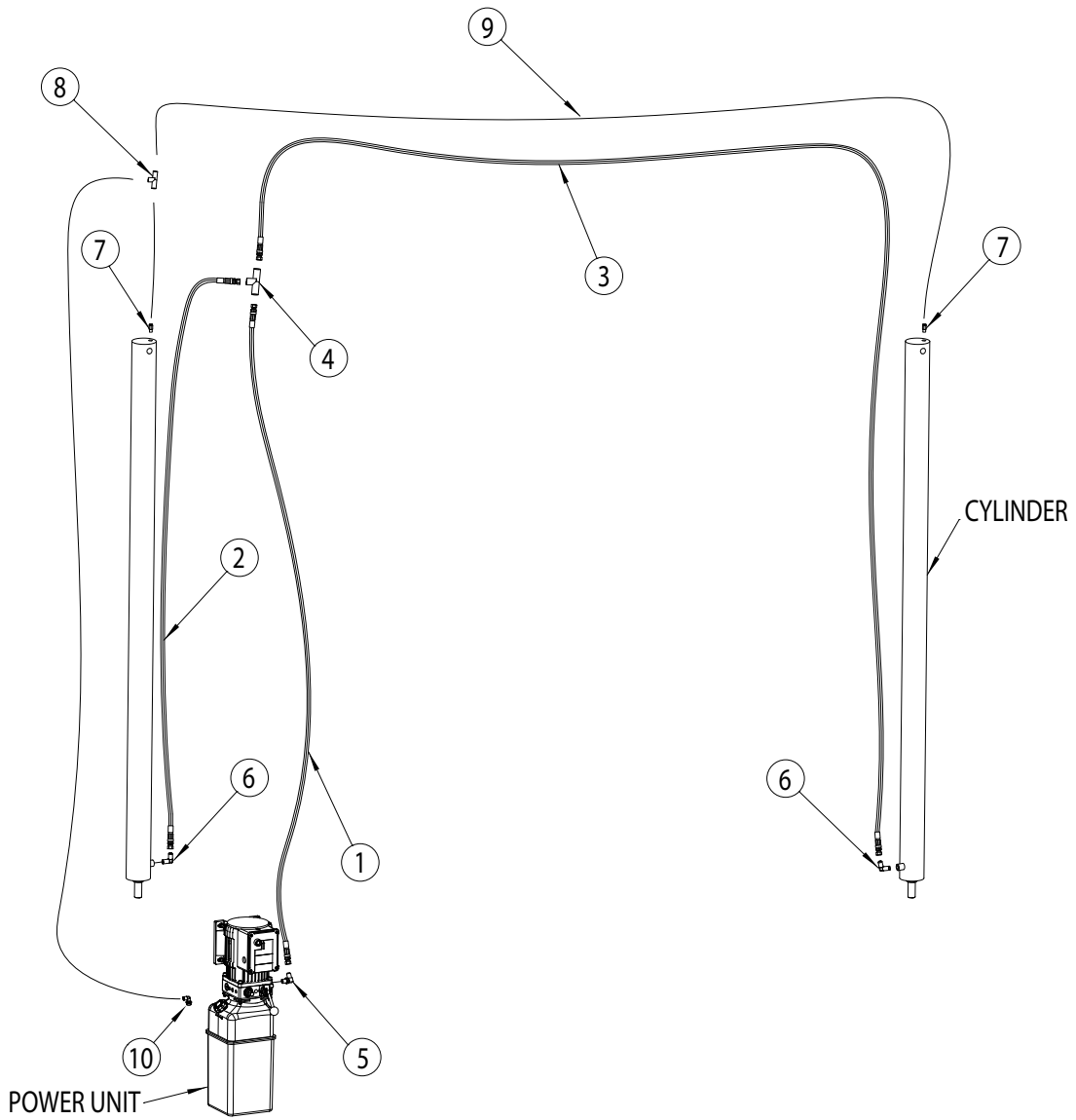
ITEM	PART #	DESCRIPTION
1	40227	5/16"-18NC x 3/8" Lg. PHIL PHMS, PLTD
2	41101	1-1/4" SAE FLAT WASHER
3	41410	Ø3/8 SHAFT RET RING TRUARC #5304-37
4	1880107Y	LOCKING LATCH ASS'Y
5	1880108Y	LOCKING LATCH PLATE ASSEMBLY
6	1880111Y	CONTROL PLATE SPRING
7	1880112Y	LOCK SPRING
8	B60-30	SHAFT RING, 30mm
9	FJ7322	LOCKING LATCH SHEAVE
10	FJ7382-32	RUBBER BUMPER
11	FJ7600	LATCH CABLE ASSEMBLY, STD.
	SPL50-1004	LATCH CABLE ASSEMBLY, EXT.
12	FJ7813-7Y	LATCH SHAFT
13	N63-1	LATCH CABLE CLAMP ASSEMBLY
14	1880117Y	LOCK COVER, OFF SIDE



ITEM	PART #	DESCRIPTION
1	40201	3/8"-16NC x 1-1/2" Lg HHCS, GRD5 PLTD
2	40818	3/8" HELICAL SPRING LW, PLTD
3	1580632Y	SWING ARM WELDMENT
4	1880601Y	SWING ARM WELDMENT
5	1880609Y	SLIDER WELDMENT
6	FJ7822-1	ADAPTER ASSEMBLY
7	N219	STOP BOLT ASSEMBLY
8	N2122	ARM RESTR. GEAR



ITEM	PART #	DESCRIPTION
1	40201	3/8" -16NC x 1-1/2" Lg HHCS, GRD5 PLTD
2	40818	3/8" HELICAL SPRING LW, PLTD
3	FJ7822-1	ADAPTER ASSEMBLY
4	N2122	ARM RESTR. GEAR
5	N2420-1	15K OUTER ARM WELDMENT
6	N2421-1	18K OUTER ARM WELDMENT
7	N2420-2	MIDDLE ARM WELDMENT
8	N2420-3	INNER ARM WELDMENT
9	N2264-15	STOP BOLT M10 x 14



ITEM	PART #	DESCRIPTION
1	DP18-9801-1	POWER UNIT HOSE
2	DP18-9801-2	MAINSIDE HYDRAULIC HOSE
3		O/H HYDRAULIC HOSE
	DP18-9801-3	O/H HYDRAULIC HOSE, STD
	DP18-9801-4	O/H HYDRAULIC HOSE, EH
	DP18-9801-5	O/H HYDRAULIC HOSE, LH
4	992502	HYDRAULIC HOSE T FITTING SW-001
5	FJ7224	ELBOW FITTING, P/U SW-002
6	992402	ELBOW FITTING, CYLINDER SW-003
7	EPC8-03	STRAIGHT FITTING, AIR LINE
8	EPE-8	T FITTING, AIR LINE
9	TKCPA12-9144	AIR LINE, 8mmX9144m
10	EPL8-03	ELBOW FITTING (1Ø MODELS ONLY)

NOTES

NOTES

Vehicle Service GroupSM
2700 Lanier Drive
Madison, IN 47250, USA
1-800-640-5438
www.vsgdover.com



© **Vehicle Service GroupSM**
All Rights Reserved. Unless otherwise
indicated, **Vehicle Service GroupSM**,
and all other trademarks are property
of Dover Corporation and its affiliates.